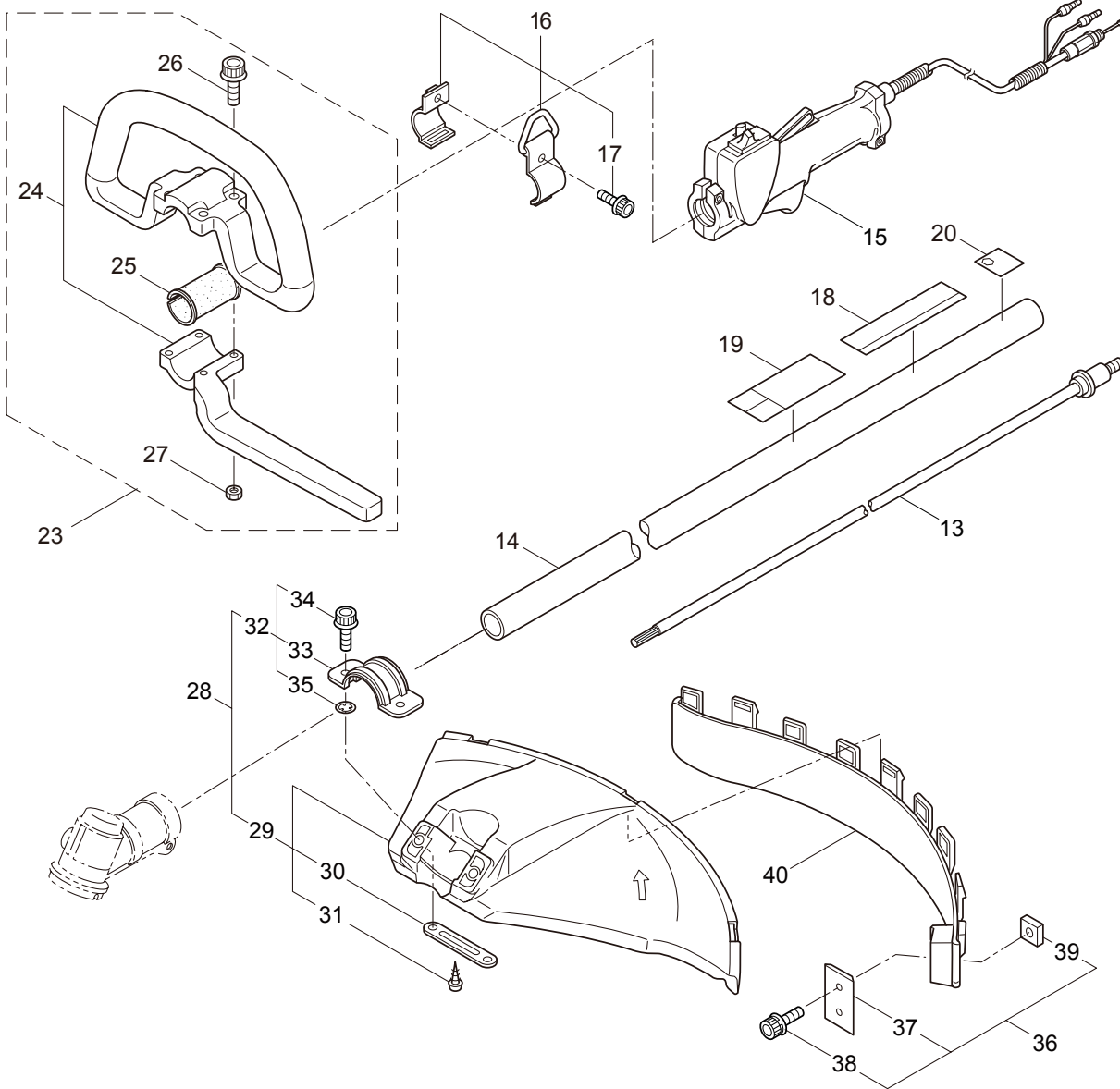
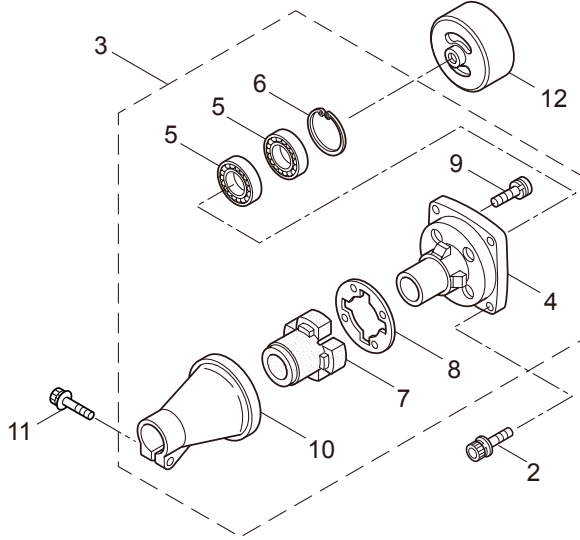
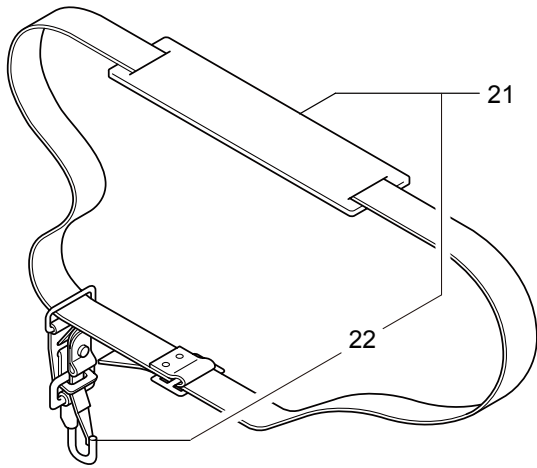


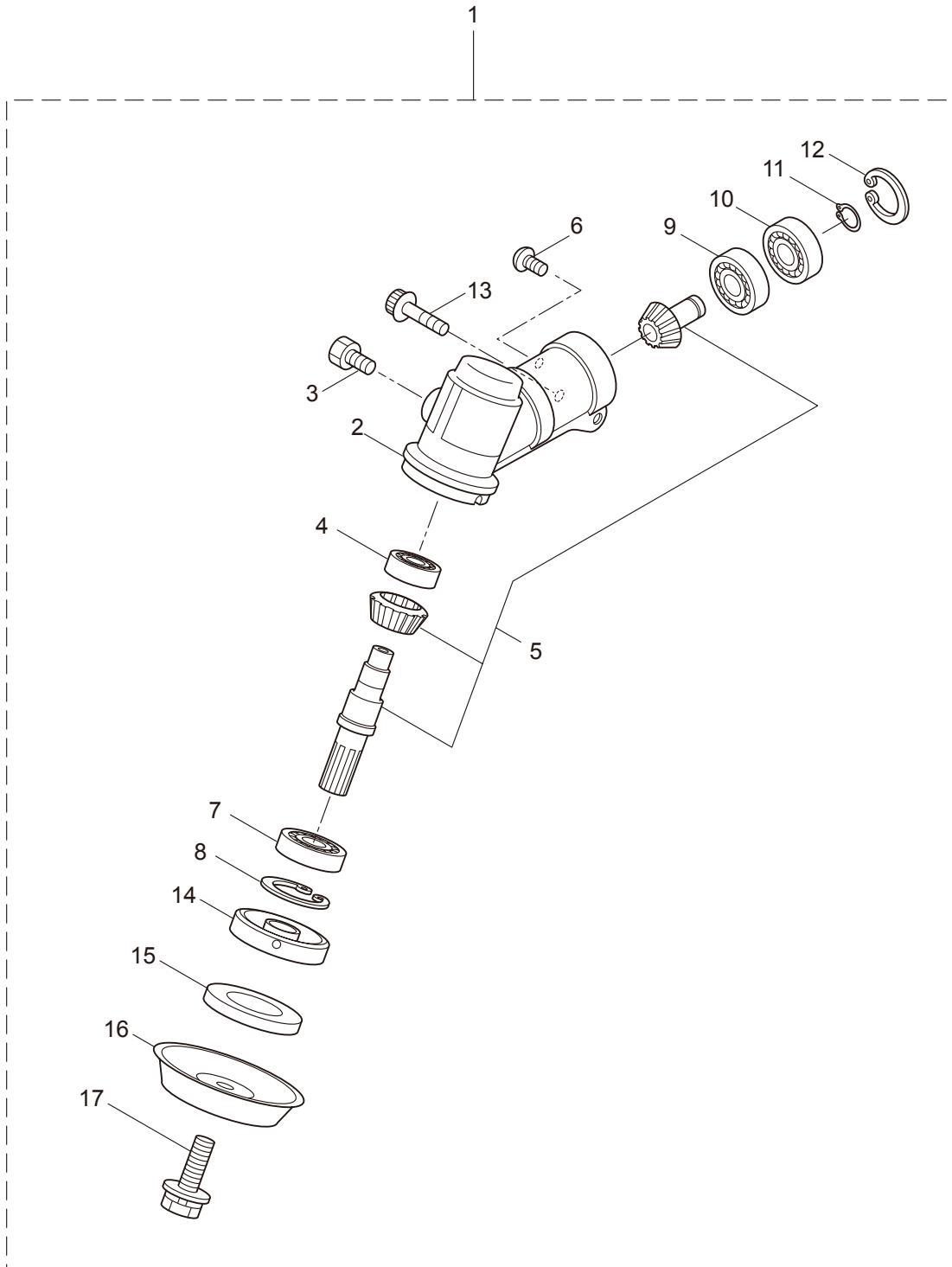
# PARTS LIST

## 1. MX33 MAIN BODY



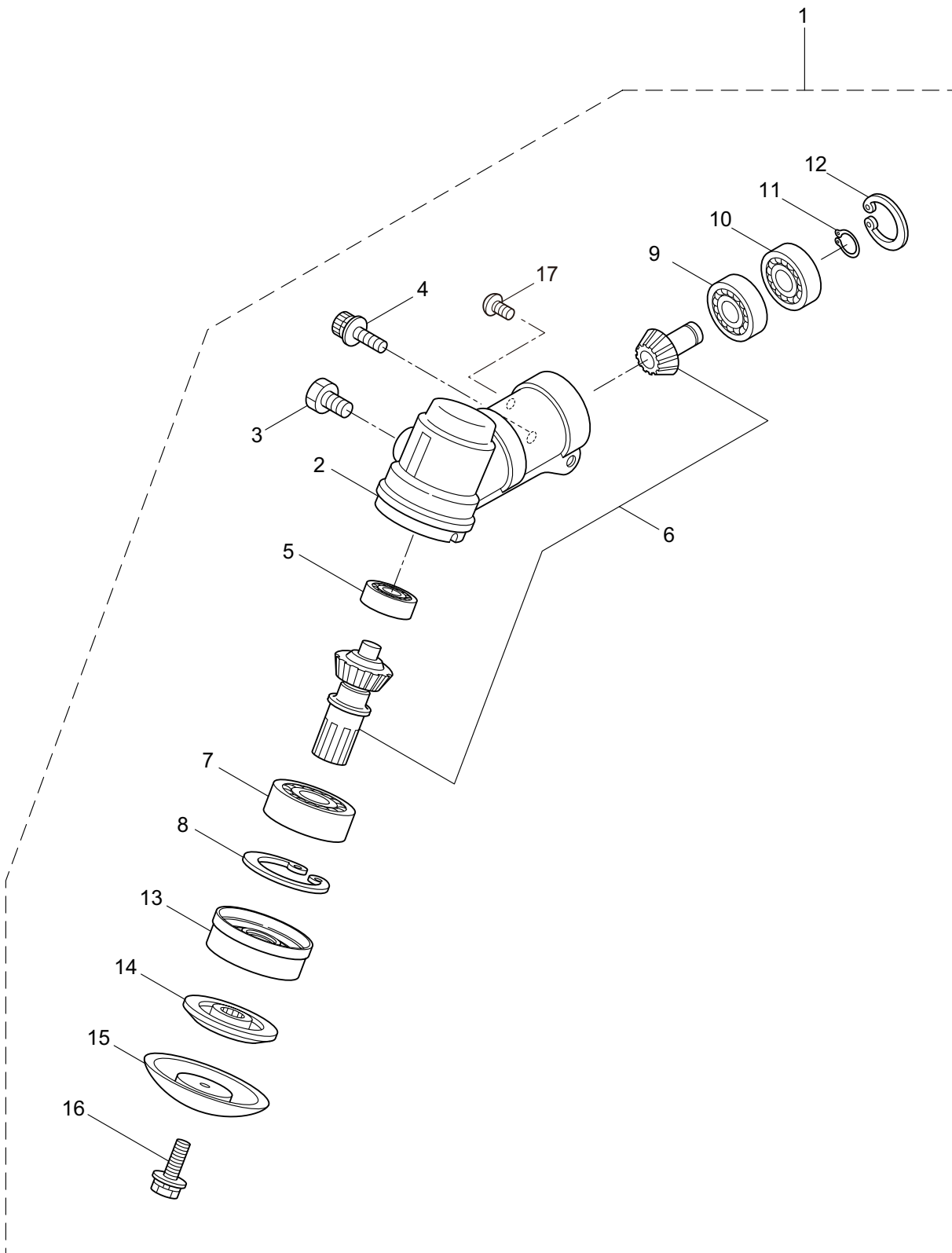
| Ref.No. | Part No. |
|---------|----------|
| 1-1     | 363911   |
| 1-1     | 363922   |
| 1-2     | 261250   |
| 1-3     | 215512   |
| 1-4     | 214592   |
| 1-5     | 214161   |
| 1-6     | 054676   |
| 1-7     | 214162   |
| 1-8     | 214163   |
| 1-9     | 092033   |
| 1-10    | 214593   |
| 1-11    | 261246   |
| 1-12    | 054677   |
| 1-13    | 219268   |
| 1-14    | 224122   |
| 1-15    | 229001   |
| 1-16    | 215533   |
| 1-17    | 261762   |
| 1-18    | 233298   |
| 1-19    | 223188   |
| 1-20    | 228043   |
| 1-21    | 220533   |
| 1-22    | 231657   |
| 1-23    | 224324   |
| 1-24    | 222520   |
| 1-25    | 213171   |
| 1-26    | 215608   |
| 1-27    | 089846   |
| 1-28    | 232086   |
| 1-29    | 231232   |
| 1-30    | 227819   |
| 1-31    | 221580   |
| 1-32    | 232087   |
| 1-33    | 227822   |
| 1-34    | 220632   |
| 1-35    | 231704   |
| 1-36    | 231882   |
| 1-37    | 230747   |
| 1-38    | 261250   |
| 1-39    | 228325   |
| 1-40    | 230748   |

2. MX33  
GEARCASE



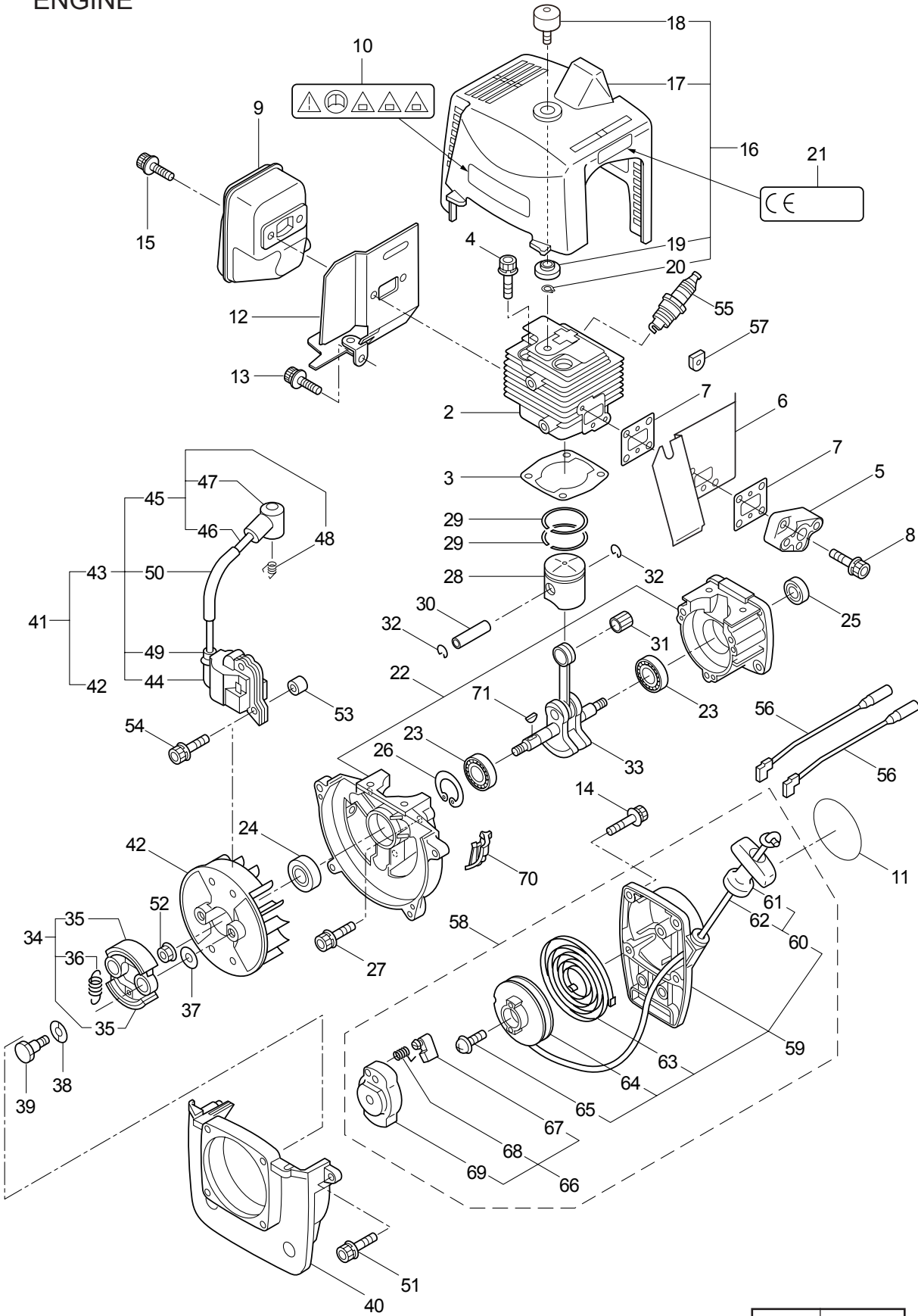
| Ref.No. | Part No. |
|---------|----------|
| 2-1     | 231880   |
| 2-2     | 225960   |
| 2-3     | 089101   |
| 2-4     | 227990   |
| 2-5     | 228416   |
| 2-6     | 219087   |
| 2-7     | 227991   |
| 2-8     | 055185   |
| 2-9     | 227992   |
| 2-10    | 227993   |
| 2-11    | 228477   |
| 2-12    | 140270   |
| 2-13    | 261246   |
| 2-14    | 212986   |
| 2-15    | 140275   |
| 2-16    | 215547   |
| 2-17    | 215610   |

## 2. GEARCASE GT-TURBO



| Ref. No. | Part No. | Part Name       | Q'ty | Remarks                |
|----------|----------|-----------------|------|------------------------|
| 2-1      | 232926   | Gearcase Ass'y  | 1    | Incl.2-17              |
| 2-2      | 232719   | Gearcase        | 1    |                        |
| 2-3      | 234109   | Bolt            | 1    | M8x8                   |
| 2-4      | 261246   | Cap Screw       | 1    | M5x25                  |
| 2-5      | 210560   | Bearing         | 1    | #609                   |
| 2-6      | 233332   | Gear Set        | 1    |                        |
| 2-7      | 232724   | Bearing         | 1    | #6203 2RS              |
| 2-8      | 012381   | Snap Ring       | 1    | #40                    |
| 2-9      | 210560   | Bearing         | 1    | #609                   |
| 2-10     | 140268   | Bearing         | 1    | #609Z                  |
| 2-11     | 228477   | Snap Ring       | 1    | #9                     |
| 2-12     | 140270   | Snap Ring       | 1    | #24                    |
| 2-13     | 232927   | Boss Adapter    | 1    |                        |
| 2-14     | 232928   | Clamping Washer | 1    |                        |
| 2-15     | 210308   | Stabilizer      | 1    |                        |
| 2-16     | 215610   | Bolt            | 1    | M8x22,Counterclockwise |
| 2-17     | 219087   | Cap Screw       | 1    | M5x10                  |

### 3. MX33 ENGINE



| Ref.No. | Part No. |
|---------|----------|
| 3-1     | 858984   |
| 3-2     | 261360   |
| 3-3     | 261528   |
| 3-4     | 261250   |
| 3-5     | 261938   |
| 3-6     | 261364   |
| 3-7     | 261171   |
| 3-8     | 265924   |
| 3-9     | 280619   |
| 3-10    | 265694   |
| 3-11    | 288701   |
| 3-12    | 261833   |
| 3-13    | 261607   |
| 3-14    | 261257   |
| 3-15    | 266402   |
| 3-16    | 286422   |
| 3-17    | 265305   |
| 3-18    | 286300   |
| 3-19    | 261020   |
| 3-20    | 261734   |
| 3-21    | 267561   |
| 3-22    | 261379   |
| 3-23    | 261384   |
| 3-24    | 261385   |
| 3-25    | 261386   |
| 3-26    | 016732   |
| 3-27    | 261612   |
| 3-28    | 266980   |
| 3-29    | 261390   |
| 3-30    | 261555   |
| 3-31    | 261392   |
| 3-32    | 261393   |
| 3-33    | 261395   |
| 3-34    | 264503   |
| 3-35    | 264504   |
| 3-36    | 263614   |
| 3-37    | 261189   |
| 3-38    | 261777   |
| 3-39    | 264505   |
| 3-40    | 281325   |
| 3-41    | 267391   |
| 3-42    | 261356   |
| 3-43    | 267400   |
| 3-44    | 267401   |
| 3-45    | 267403   |
| 3-46    | 267404   |
| 3-47    | 261074   |
| 3-48    | 261075   |
| 3-49    | 261072   |
| 3-50    | 269418   |
| 3-51    | 261250   |

| Ref.No. | Part No. |
|---------|----------|
| 3-67    | 263477   |
| 3-68    | 261728   |
| 3-69    | 263476   |
| 3-70    | 265458   |
| 3-71    | 261076   |

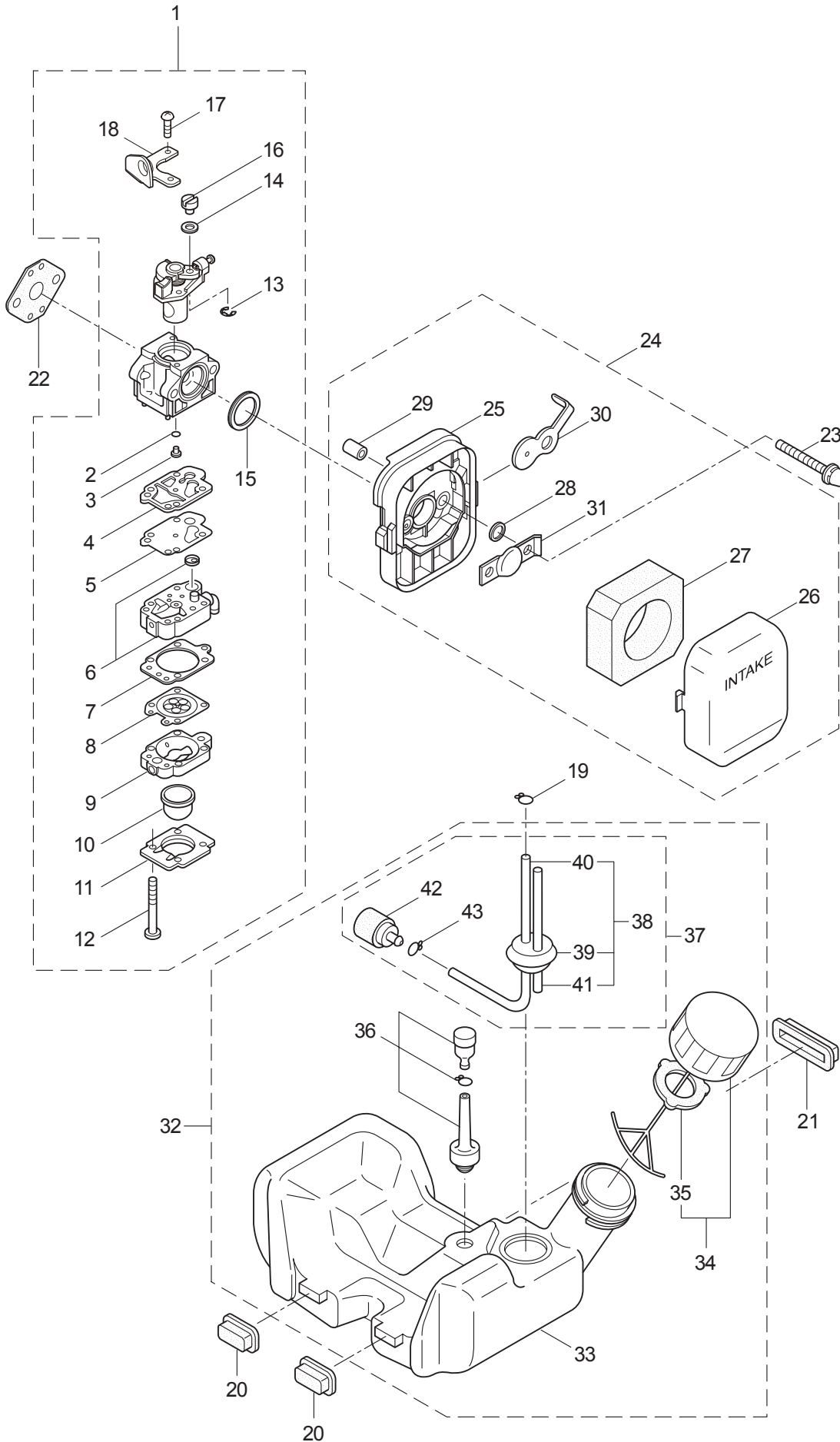
| Ref.No. | Part No. |
|---------|----------|
| 3-62    | 261724   |
| 3-63    | 261721   |
| 3-64    | 261720   |
| 3-65    | 262922   |
| 3-66    | 263475   |

| Ref.No. | Part No. |
|---------|----------|
| 3-57    | 261202   |
| 3-58    | 261419   |
| 3-59    | 261420   |
| 3-60    | 261723   |
| 3-61    | 261725   |

| Ref.No. | Part No. |
|---------|----------|
| 3-52    | 261417   |
| 3-53    | 280381   |
| 3-54    | 261256   |
| 3-55    | 262483   |
| 3-56    | 267492   |

| Ref.No. | Part No. |
|---------|----------|
| 3-46    | 267404   |
| 3-47    | 261074   |
| 3-48    | 261075   |
| 3-49    | 261072   |
| 3-50    | 269418   |
| 3-51    | 261250   |

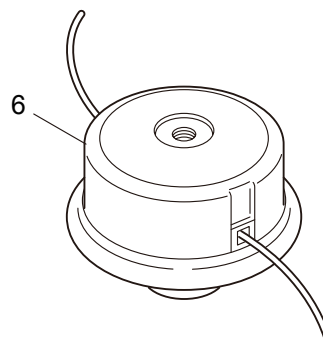
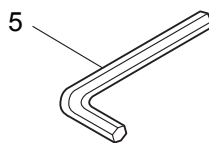
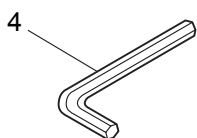
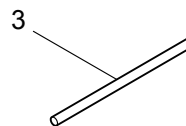
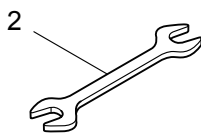
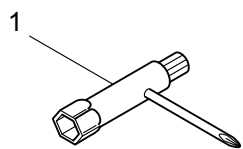
4. MX33  
CARBURETOR, FUEL TANK



| Ref.No. | Part No. |
|---------|----------|
| 4-1     | 284085   |
| 4-2     | 261871   |
| 4-3     | 266175   |
| 4-4     | 262995   |
| 4-5     | 262994   |
| 4-6     | 263739   |
| 4-7     | 262993   |
| 4-8     | 261873   |
| 4-9     | 262991   |
| 4-10    | 261874   |
| 4-11    | 262992   |
| 4-12    | 262996   |
| 4-13    | 261876   |
| 4-14    | 264678   |
| 4-15    | 261657   |
| 4-16    | 261658   |
| 4-17    | 261875   |
| 4-18    | 264677   |
| 4-19    | 261117   |
| 4-20    | 261118   |
| 4-21    | 261119   |
| 4-22    | 261864   |
| 4-23    | 264016   |
| 4-24    | 262902   |
| 4-25    | 263005   |
| 4-26    | 262998   |
| 4-27    | 263006   |
| 4-28    | 263000   |
| 4-29    | 263001   |
| 4-30    | 263007   |
| 4-31    | 263003   |
| 4-32    | 268141   |
| 4-33    | 261965   |
| 4-34    | 262726   |
| 4-35    | 261105   |
| 4-36    | 261696   |
| 4-37    | 265752   |
| 4-38    | 264031   |
| 4-39    | 261115   |
| 4-40    | 261690   |
| 4-41    | 263038   |
| 4-42    | 264653   |
| 4-43    | 261117   |

5. MX33  
ACCESSORIES

| Ref.No. | Part No. |
|---------|----------|
| 5-1     | 210418   |
| 5-2     | 022865   |
| 5-3     | 210181   |
| 5-4     | 219432   |
| 5-5     | 219433   |
| 5-6     | 232226   |
| 5-7     | 233234   |
| 5-8     | 233326   |
| 5-9     | 233336   |
| 5-10    | 523270   |



MX33-01

MX33-02

